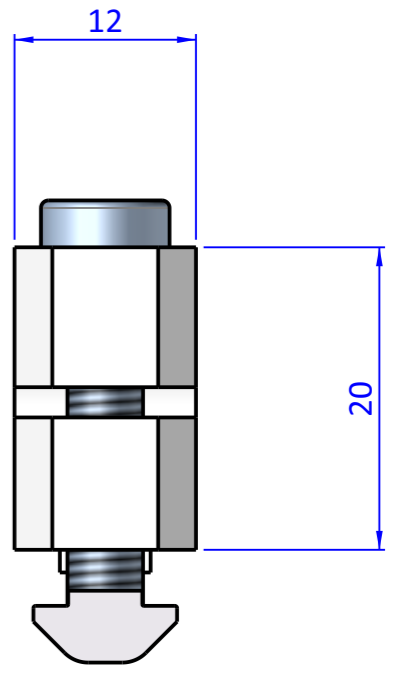
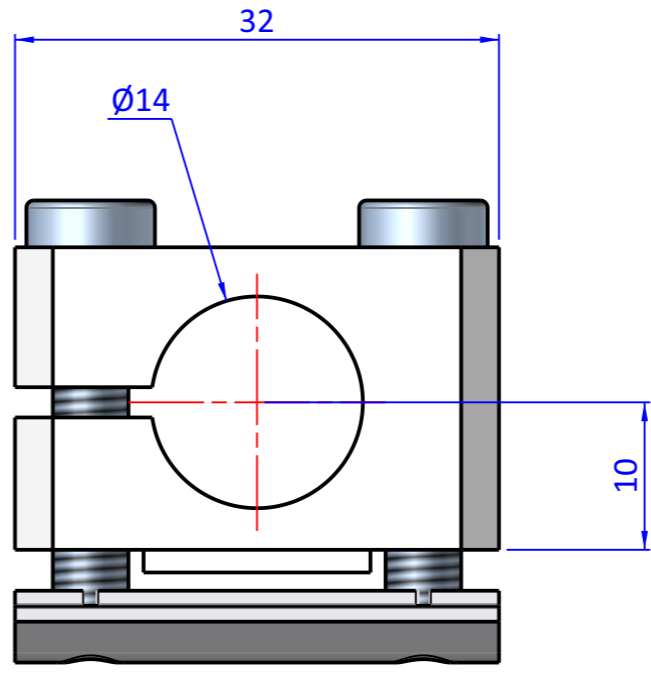
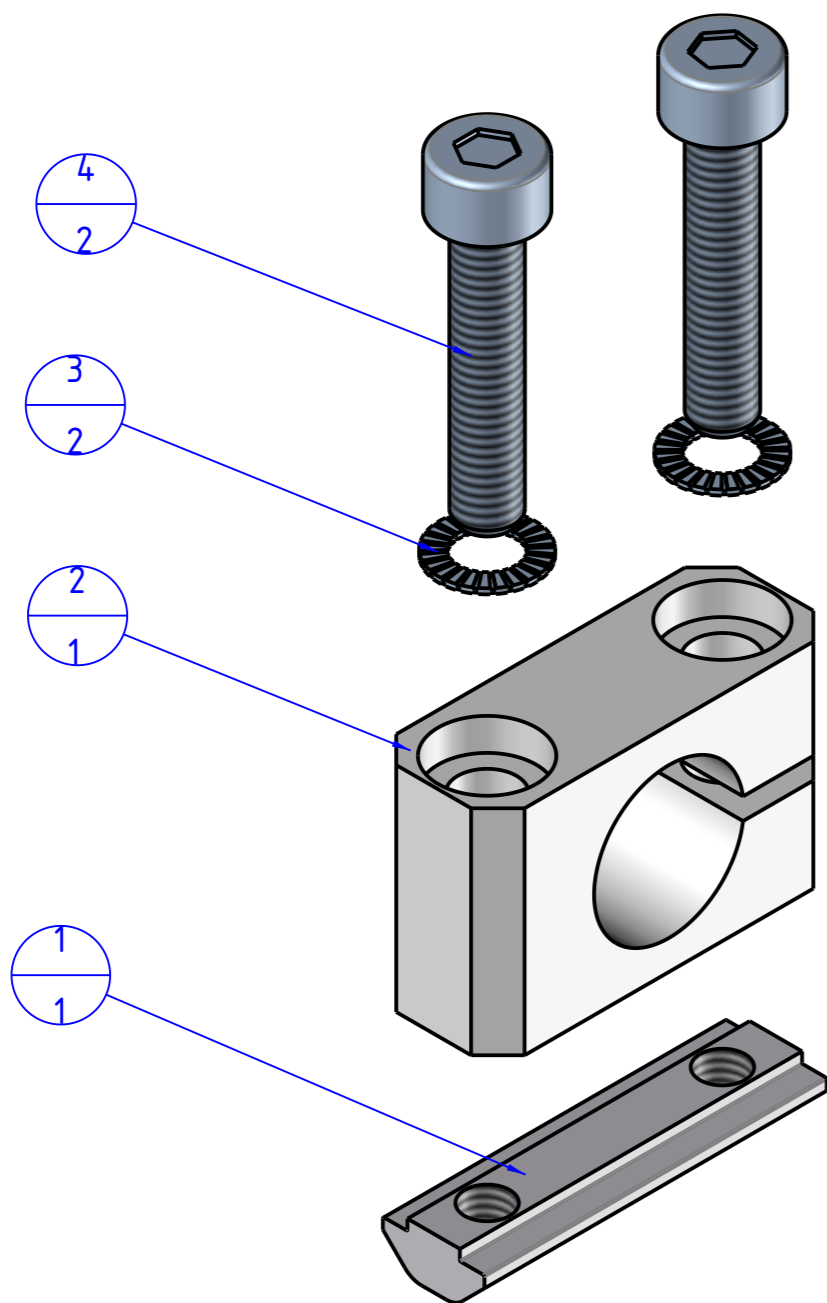



Item	Name	Q.ty
1	CA.GWP.5.22.F	1
2	KVB.X14	1
3	R.5.SCH	2
4	V.TCE5x25	2



THE PROPERTY OF THE DRAWING IS ESTABLISHED BY LAW. IT IS FORBIDDEN TO PRODUCE OR SHOW IT TO THIRD PART, WITHOUT A WRITTEN AGREEMENT.

Format A3
UNI 936-76

 FPS FPSERVICES AUTOMATION		DESIGNED FROM		REVIEW
		FPS Automation		A
GENERAL TOLERANCE		DATE	WEIGHT	
UNI - ISO 2768		30/11/2023	0,027kg	
CLASSE f		CODE		
		CA.KVB.X14.5		CA.KVB.X14.5